

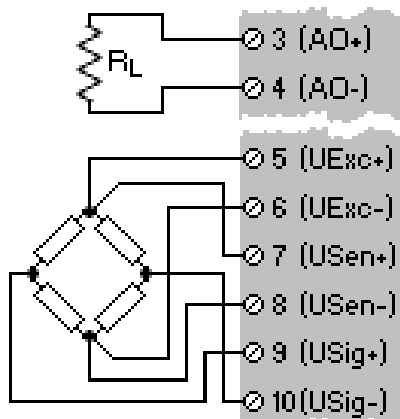
Pinning of the special connectors for the:

## Q.bloxx XE A106 DB15/BNC (559532)

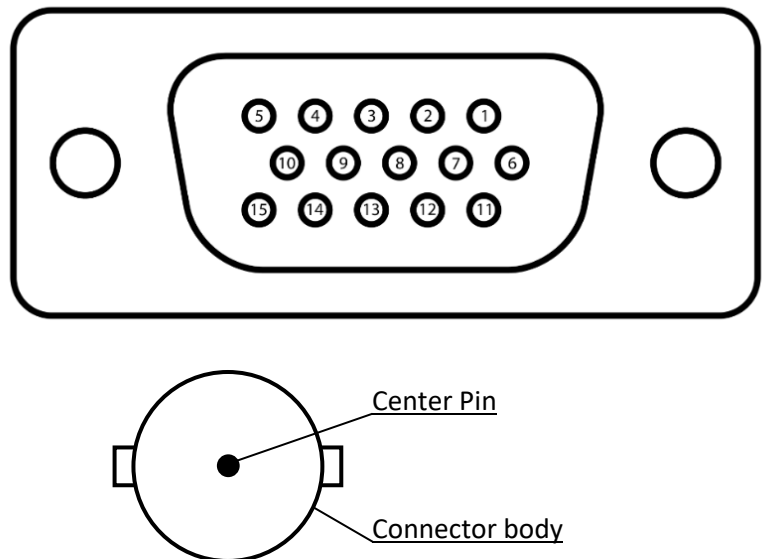
Connector Pinning	
<b>Q.bloxx Standard 10poleScrew [1]</b>	<b>Special Connectors DB15 &amp; BNC [1,3]</b>
1 (DIO 1)	
2 (DIO 2)	
3 (Aout +)	Center Pin (BNC [3])
4 (GND)	Connector body (BNC [3])
5 (Uexc +)	Pin 3 (Supply +) (DB15 [1])
6 (Uexc -)	Pin 2 (Supply -) (DB15 [1])
7 (Uref +)	Pin 8 (Sensor +) (DB15 [1])
8 (Uref -)	Pin 7 (Sensor -) (DB15 [1])
9 (Usig +)	Pin 5 (Signal +) (DB15 [1])
10 (Usig -)	Pin 10 (Signal -) (DB15 [1])
<b>Q.bloxx Standard 10poleScrew [2]</b>	<b>Special Connector DB15 &amp; BNC [2,4]</b>
1 (DIO 1)	
2 (DIO 2)	
3 (Aout +)	Center Pin (BNC [4])
4 (GND)	Connector body (BNC [4])
5 (Uexc +)	Pin 3 (Supply +) (DB15 [2])
6 (Uexc -)	Pin 2 (Supply -) (DB15 [2])
7 (Uref +)	Pin 8 (Sensor +) (DB15 [2])
8 (Uref -)	Pin 7 (Sensor -) (DB15 [2])
9 (Usig +)	Pin 5 (Signal +) (DB15 [2])
10 (Usig -)	Pin 10 (Signal -) (DB15 [2])



Q.bloxx Standard 10poleScrew



Q.bloxx XE A106 DB15 / BNC



All technical data regarding the Q.bloxx XE A106 can be found in the corresponding Datasheet on the Gantner Instruments website.