

# masterforce® TEDS-M Sensor Identification

## Applications

- Changing sensors fast and easy and without any risk
- In combination with masterforce® Systems
- Check and calibrate machines and systems

## Features

- Calibration with up to 6 points
- Comes with every masterforce® sensor
- calibration data stored inside the sensor
- complies to standard IEE 1451.4



## Function

Sensor data, that usually are stored in a instrument or amplifier, are now stored in a chip that is part of the sensor plug. This data is for example:

- Rated load
- Sensitivity
- Name of the sensor
- Manufacturer
- Day of calibration
- All data usually stored in „range“ of display AE 703 or BD 341 or compatible systems

## Benefits

The display AE 703 can be connected to any A.S.T. TEDS-M sensor without any setup. On the spot it displays correct values. Users now can operate sensor pools, meaning that a number of sensores can be connected to a number of displays regardles the setup of the displays. A sensorpool can be extended easily – without sending out the display for calibration.

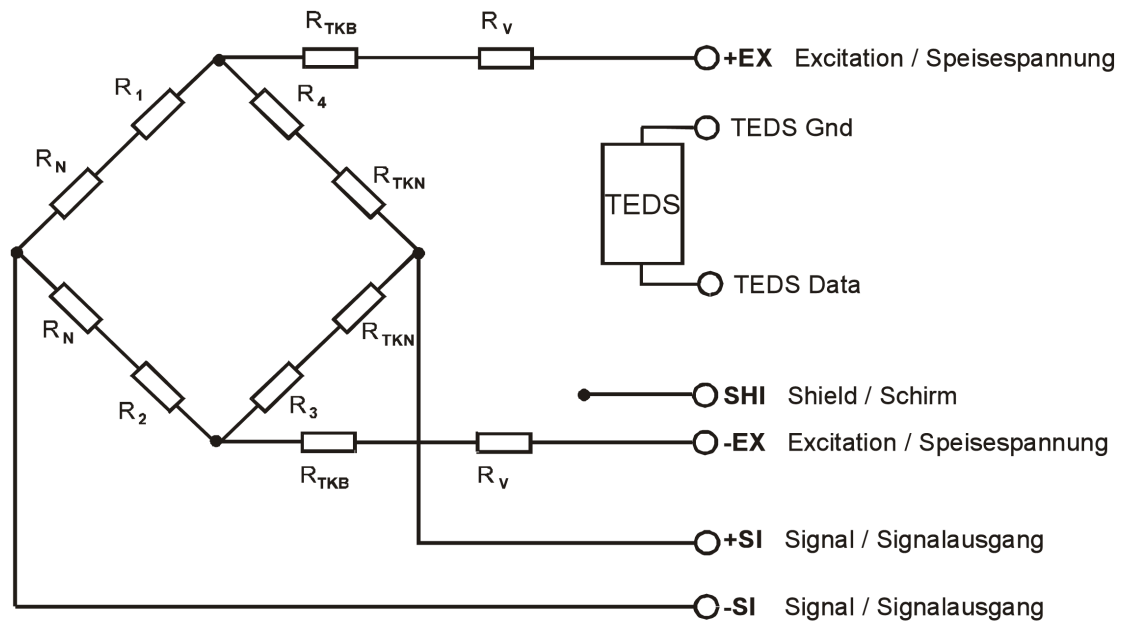
## Calibration

To calibrate the TEDS-Sensor a AE 703 and the Software ASTAS is needed. The calibration features 2 points only. For a 100-per cent tracability to the national standard of force a regular mV/V-calibaration of the AE 703 is suggested, the traditionell calibration of sensor and display is another option.

## Connection

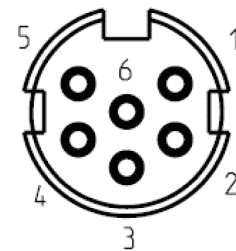
A.S.T. TEDS-M can be combined with all strain gage sensors. For TEDS-M functionality pin 5 and pin 6 of the standard A.S.T-plug are used. Using sense wires is in combination with TEDS is not possible.

## Wiring



## Connector Pin assignment (TEDS-M)

Pin	Signal
1	Excitation voltage - (-EX)
2	Excitation voltage + (+EX)
3	TEDES GND
4	Sensor signal + (+SI)
5	Sensor signal - (-SI)
6	TEDES-M DATA

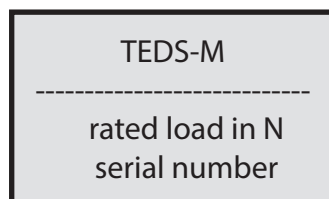


view to soldering side

## Kennzeichnung

TEDES-M sensors from A.S.T. are labeled at the connector with AST / TEDS-M.

After starting the AE 703 *masterforce*® with a TEDS-M sensor an information will be displayed:



Error displays Flashing „T“: A TEDS-Sensor with invalid data has been detected.

## Typ code

order code	Description
MF-xxx	MF (masterforce®) Sensor
└──┬──┘	sensor type code
└──┬──┘	masterforce® sensor