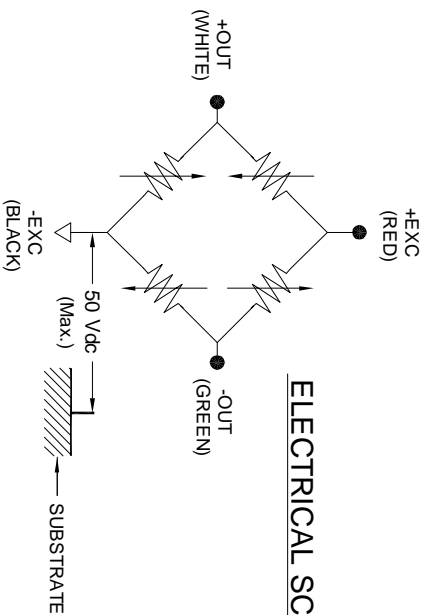


SPECIFICATIONS:

- CAPACITIES:
 - RATED OUTPUT:
 - ZERO OFFSET:
 - OVERLOAD, SAFE:
 - EXCITATION RECOMMENDED:
 - BRIDGE RESISTANCE:
 - INSULANTION RESISTANCE:
 - OPERATING TEMP. RANGE:
 - CALIBRATED TEMP. RANGE:
 - TEMP. EFFECT ON ZERO BALANCE:
 - LONG TERM STABILITY:
 - NONLINEARITY:
 - HYSTERESIS:
 - NONREPEATABILITY:
 - CREEP, IN 20 MINUTES:
- | | |
|--|--|
| <ul style="list-style-type: none"> 6. 12 POUNDS-FORCE 2 mV/V NOMINAL ±0.3 mV/V (OPTIONAL ±1% RO) 200% RO UP TO 20 Vdc 10,000 Ω ±3% 4 WIRE CLOSED BRIDGE (5W OPTIONAL) >1000 MΩ @ 50 Vdc -40°C TO +150°C (200°C OPTIONAL) -40°C TO +125°C ±0.03%/°C (±0.017%/°F) +0.03% READING/°C (0.017%/°F) <0.1% RO PER YEAR ±0.03% RO ±0.03% RO <0.01% RO ±0.025% RO | <ul style="list-style-type: none"> Europe Bury Road, Chedburgh, Bury St Edmunds IP29 4UQ England |
|--|--|

ELECTRICAL SCHEMATIC



RANGE (lbf)	ITEM No.	MATERIAL
6	2841-006	17-4PH
12	2841-012	17-4PH



UNLESS OTHERWISE SPECIFIED:

- X/X = 1/64"
- X = ±.030"
- XX = ±.010"
- Xmm = ±0.5mm
- X.XXmm = ±0.3mm
- X.XXXmm = ±0.15mm
- ANGLES = ±2°
- .XXX = ±.005"
- .XXXX = ±.001"
- ANGLES = ±2°

STRAIN MEASUREMENT DEVICES

USA
55 Barnes Park South
Wallingford, CT 06492

Tel: (203) 294-5800
Fax: (203) 265-0544
askus@smdsensors.com

Europe
Bury Road, Chedburgh,
Bury St Edmunds IP29 4UQ
England

Tel: +44 (0) 1284 852 000
Fax: +44 (0) 1284 852 371
sales@smdsensors.co.uk

TITLE: S220 OUTLINE DRAWING

DWG No.	DATE:	SCALE:	DIV:
SMD2841	10/03/00	NONE	INCHES [mm]